

Special Troops Battalion,
2nd Brigade Combat Team,
82nd Airborne Division,

A-4-221

Beret Flash



Description/Blazon

A blue shield-shaped embroidered device with a semi-circular base 2 1/4 inches (5.72 cm) in height by 1 7/8 inches (4.76 cm) in width overall, edged with a 1/8 inch (.32 cm) white border divided horizontally by a 1/2 inch (1.27 cm) white stripe. The beret flash was approved on 23 February 2006. It was amended to correct the unit designation on 20 March 2006. A-4-221

Background Trimming

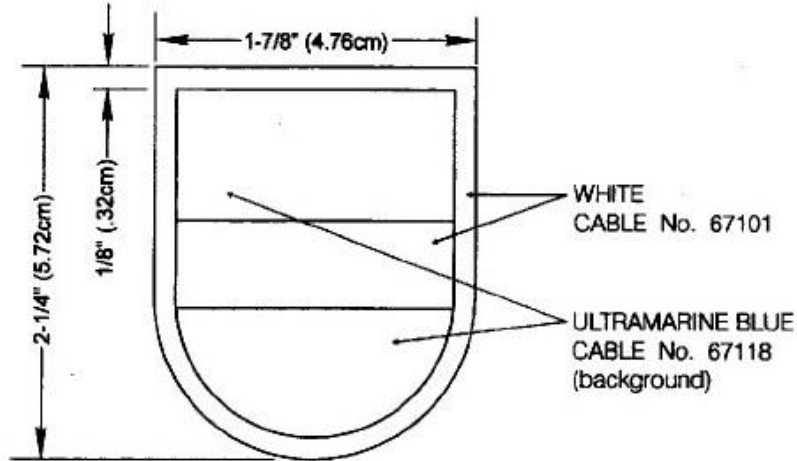


Description/Blazon

A blue oval shaped embroidered device 1 3/8 inches (3.49 cm) in height by 2 1/4 inches (5.72 cm) in width overall, edged with a 1/8 inch (.32 cm) white border divided horizontally by a 1/2 inch (1.27 cm) white stripe. The background trimming was approved on 23 February 2006. It was amended to correct the unit designation on 20 March 2006.

REVISIONS

LTR	DESCRIPTION	DATE	APPROVED
-----	-------------	------	----------



DESIGNED FOR OVEREDGE STITCHING

**FORMERLY: 2D BRIGADE, 82D AIRBORNE DIVISION
SUPERSEDES T.I.O.H. DWG. No. A-4-221 DTD 14 FEBRUARY 2006**

UNLESS OTHERWISE SPECIFIED DIMENSIONS ARE IN INCHES TOLERANCES ON FRACTIONS DECIMALS ANGLES

MATERIALS:
TO BE MANUFACTURED IN ACCORDANCE WITH MIL-DTL-14652

EXAMINED	<i>[Signature]</i>
CHECKED	<i>[Signature]</i>
PREPARED	CLH

APPROVED
Charles V. Mugno
CHARLES V. MUGNO
DIRECTOR

THE INSTITUTE OF HERALDRY, U.S. ARMY
9325 GUNSTON RD. S-112 FORT BELVOIR, VA 22060-5579

BERET FLASH FOR
SPECIAL TROOPS BATTALION,
2D BDE. COMBAT TEAM, 82D AIRBORNE DIV.

SIZE	CONTROL IDENT. NO	
A	22571	A-4-221

SCALE FULL DATE **05 MARCH 2006**